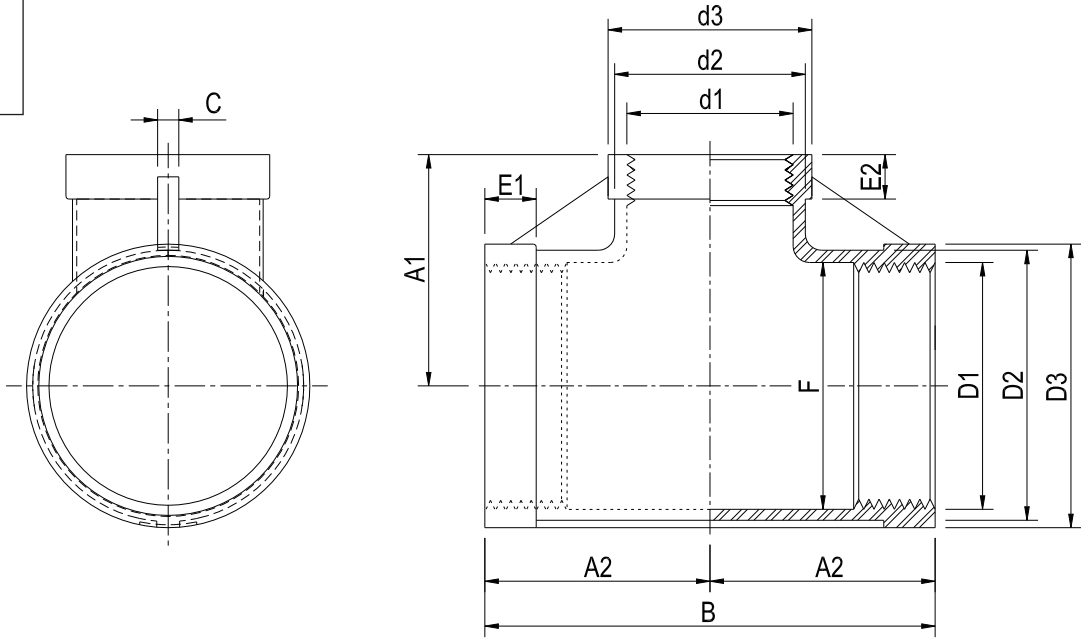


CLASS 150



REDUCED TEE

No.	Size.	A1	A2	B	C	D1	D2	D3	d1	d2	d3	E1	E2	F	Weight Kg / Pc
		mm	mm	mm	mm	Inch	mm	mm	Inch	mm	mm	mm	mm	mm	
1.	1/2" x 1/4"	23.0	26.5	53.0	2.3	1/2"	24.7	26.4	1/4"	16.0	18.0	6.3	5.5	20.9	0.07
2.	1/2" x 3/8"	25.0	26.5	53.0	2.3	1/2"	24.7	26.4	3/8"	19.0	21.0	6.3	6.0	20.9	0.08
3.	3/4" x 1/4"	25.5	29.5	59.0	3.0	3/4"	30.3	32.3	1/4"	16.0	18.0	7.8	5.5	26.3	0.10
4.	3/4" x 3/8"	27.5	29.5	59.0	3.0	3/4"	30.3	32.3	3/8"	19.0	21.0	7.8	6.0	26.3	0.11
5.	3/4" x 1/2"	30.5	29.5	59.0	3.0	3/4"	30.3	32.3	1/2"	24.7	26.4	7.8	6.3	26.3	0.13
6.	1" x 3/8"	31.5	35.0	70.0	3.2	1"	37.5	39.8	3/8"	19.0	21.0	9.2	6.0	32.7	0.18
7.	1" x 1/2"	34.0	35.0	70.0	3.2	1"	37.5	39.8	1/2"	24.7	26.4	9.2	6.3	32.7	0.20
8.	1" x 3/4"	36.0	35.0	70.0	3.2	1"	37.5	39.8	3/4"	30.3	32.3	9.2	7.8	32.7	0.21
9.	1 1/4" x 1/2"	38.0	43.3	86.6	4.5	1 1/4"	46.0	49.0	1/2"	24.7	26.4	10.5	6.3	41.6	0.29
10.	1 1/4" x 3/4"	40.5	43.3	86.6	4.5	1 1/4"	46.0	49.0	3/4"	30.3	32.3	10.5	7.8	41.6	0.31
11.	1 1/4" x 1"	43.0	43.3	86.6	4.5	1 1/4"	46.0	49.0	1"	37.5	39.8	10.5	9.2	41.6	0.31
12.	1 1/2" x 1/2"	44.1	44.5	89.0	4.5	1 1/2"	53.0	55.8	1/2"	24.7	26.4	12.0	6.3	47.5	0.41
13.	1 1/2" x 3/4"	44.1	44.5	89.0	4.5	1 1/2"	53.0	55.8	3/4"	30.3	32.3	12.0	7.8	47.5	0.42
14.	1 1/2" x 1"	46.0	44.5	89.0	4.5	1 1/2"	53.0	55.8	1"	37.5	39.8	12.0	9.2	47.5	0.43
15.	1 1/2" x 1 1/4"	49.0	44.5	89.0	4.5	1 1/2"	53.0	55.8	1 1/4"	46.0	49.0	12.0	10.5	47.5	0.43
16.	2" x 1/2"	47.0	54.2	108.4	5.0	2"	65.5	68.0	1/2"	24.7	26.4	12.5	6.3	59.8	0.60
17.	2" x 3/4"	49.0	54.2	108.4	5.0	2"	65.5	68.0	3/4"	30.3	32.3	12.5	7.8	59.8	0.61
18.	2" x 1"	53.0	54.2	108.4	5.0	2"	65.5	68.0	1"	37.5	39.8	12.5	9.2	59.8	0.63
19.	2" x 1 1/4"	55.5	54.2	108.4	5.0	2"	65.5	68.0	1 1/4"	46.0	49.0	12.5	10.5	59.8	0.65
20.	2" x 1 1/2"	56.5	54.2	108.4	5.0	2"	65.5	68.0	1 1/2"	53.0	55.8	12.5	12.0	59.8	0.66
21.	3" x 1"	68.5	50.0	100.0	6.0	3"	96.0	100.0	1"	37.0	40.0	14.0	9.5	90.0	1.04
22.	3" x 1 1/2"	72.0	58.0	116.0	6.0	3"	96.0	100.0	1 1/2"	52.5	55.5	14.0	12.5	90.0	1.22