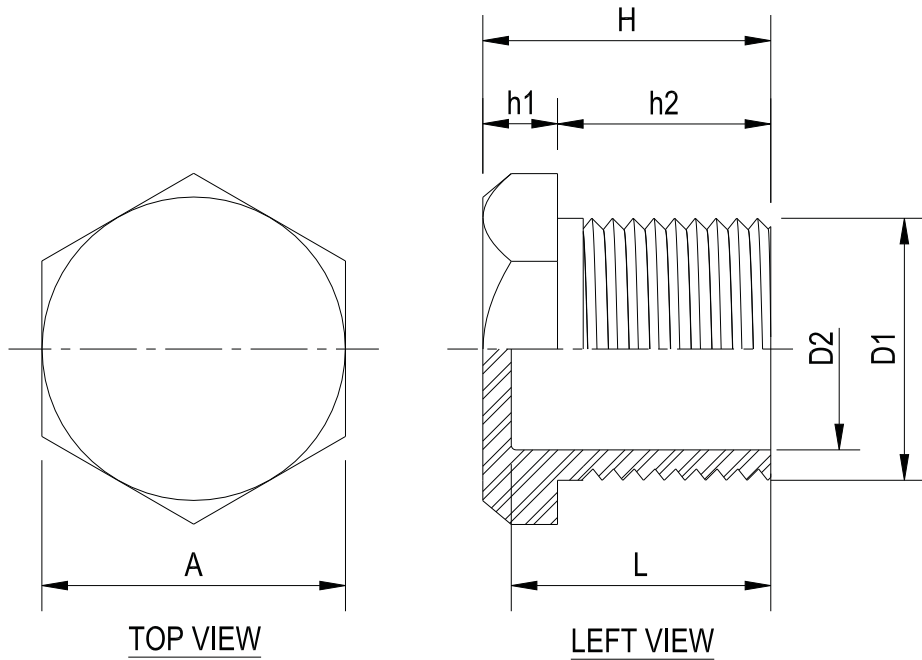


# CLASS 150



## HEX PLUG

No.	Size	D1		D2		A		L		h1		h2		H		Weight (Kg/Pc)
		(mm)	(Inch)	(mm)	(Inch)	(mm)	(Inch)	(mm)	(Inch)	(mm)	(Inch)	(mm)	(Inch)			
1.	1/8"	1/8"	-	-	0.51	12.9	-	-	0.22	5.5	0.41	10.4	0.63	15.9	0.01	
2.	1/4"	1/4"	-	-	0.63	15.9	-	-	0.22	5.6	0.49	12.4	0.71	18.0	0.02	
3.	3/8"	3/8"	0.37	9.5	0.78	19.8	0.41	10.5	0.22	5.7	0.54	13.6	0.76	19.3	0.03	
4.	1/2"	1/2"	0.57	14.5	0.90	22.9	0.72	18.4	0.23	5.8	0.60	15.2	0.83	21.0	0.03	
5.	3/4"	3/4"	0.74	18.8	1.09	27.8	0.85	21.5	0.24	6.0	0.70	17.8	0.94	23.8	0.05	
6.	1"	1"	0.97	24.7	1.45	36.9	0.94	24.0	0.26	6.7	0.80	20.3	1.06	27.0	0.10	
7.	1 1/4"	1 1/4"	1.28	32.5	1.76	44.8	1.06	26.8	0.32	8.2	0.87	22.0	1.19	30.2	0.15	
8.	1 1/2"	1 1/2"	1.51	38.3	1.96	49.8	1.07	27.3	0.35	9.0	0.87	22.0	1.22	31.0	0.19	
9.	2"	2"	1.99	50.5	2.43	61.8	1.17	29.8	0.37	9.5	1.00	25.3	1.37	34.8	0.30	
10.	2 1/2"	2 1/2"	2.54	64.5	3.11	79.0	1.35	34.2	0.46	11.7	1.13	28.8	1.59	40.5	0.55	
11.	3"	3"	3.01	76.5	3.60	91.4	1.39	35.2	0.50	12.7	1.14	29.0	1.64	41.7	0.71	
12.	4"	4"	4.03	102.3	4.59	116.6	1.46	37.0	0.57	14.5	1.22	31.0	1.79	45.5	1.24	