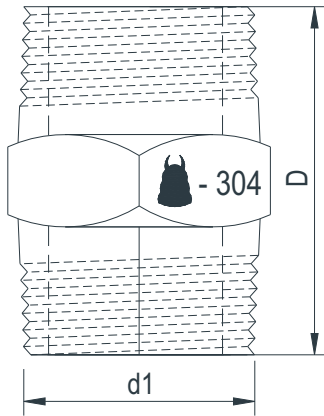
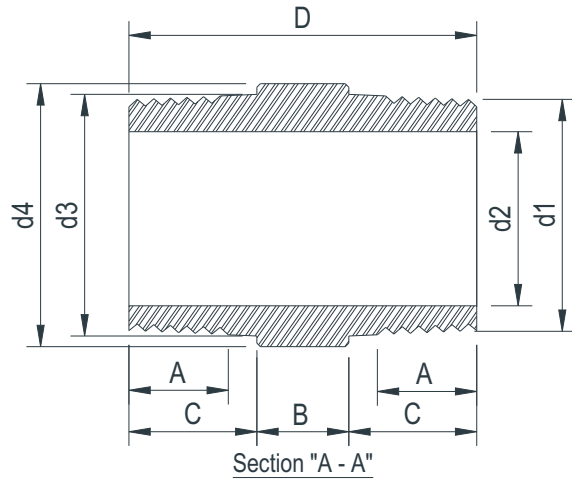
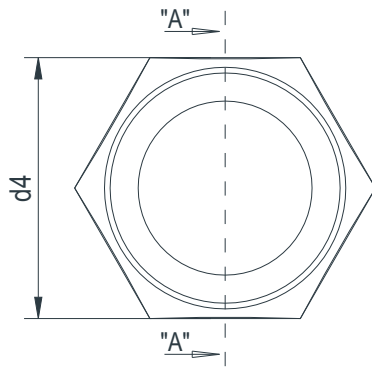


CLASS 150



Left View



HEX NIPPLE

No.	Size.	d1	d2	d3	d4	A	B	C	D	WEIGHT (KG / PCS)
		Inch	(mm)	(mm)	(mm)	(mm)	(mm)	(mm)	(mm)	
1.	1/8"	1/8"	5.00	10.50	12.90	7.35	6.00	10.00	26.00	0.020
2.	1/4"	1/4"	6.90	13.30	15.00	10.50	7.80	12.10	32.00	0.020
3.	3/8"	3/8"	10.20	17.00	17.80	10.90	7.20	12.90	33.00	0.030
4.	1/2"	1/2"	14.10	21.00	22.80	13.20	8.20	16.10	40.40	0.050
5.	3/4"	3/4"	19.50	26.45	27.80	13.45	11.00	15.90	42.80	0.080
6.	1"	1"	24.40	33.50	36.70	14.20	12.50	17.75	48.00	0.150
7.	1 1/4"	1 1/4"	32.80	42.00	44.60	15.30	13.00	19.20	51.40	0.210
8.	1 1/2"	1 1/2"	38.70	48.10	49.80	16.70	13.10	19.70	52.50	0.250
9.	2"	2"	50.30	59.60	61.70	21.90	13.10	25.15	63.40	0.370
10.	2 1/2"	2 1/2"	65.20	75.00	77.60	24.30	14.60	28.20	71.00	0.550
11.	3"	3"	77.20	87.40	91.10	28.30	14.70	31.05	76.80	0.780
12.	4"	4"	101.00	114.30	120.00	26.00	16.00	28.50	73.00	1.063
13.	4"	4"	101.00	114.30	120.00	35.00	16.00	37.00	92.00	1.750