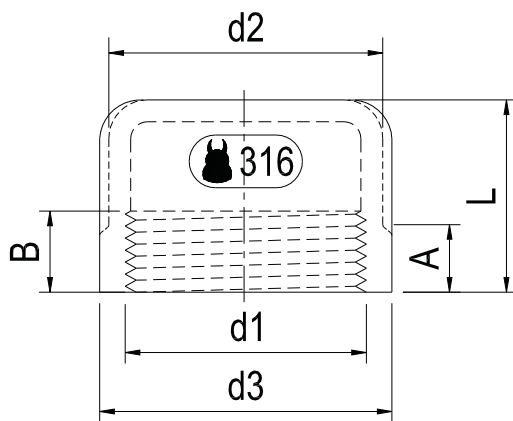
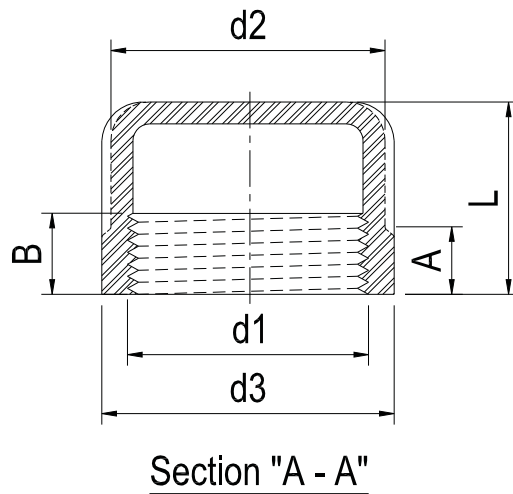
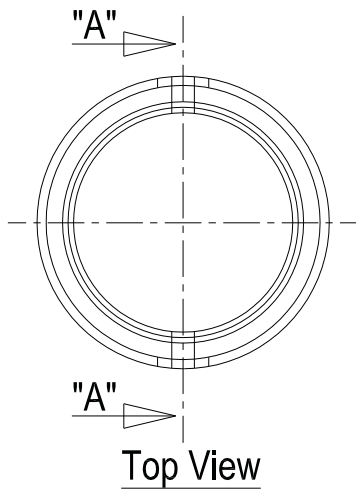


CLASS 150



ROUND CAP

No.	Size.	d1	d2	d3	A	B	L	WEIGHT
		Inch	mm	mm	mm	mm	mm	(KG / PC)
1.	1/8"	1/8"	13.0	14.0	5.0	10.0	17.0	0.010
2.	1/4"	1/4"	15.9	17.2	6.0	11.0	18.0	0.020
3.	3/8"	3/8"	19.0	21.0	6.5	11.0	18.0	0.020
4.	1/2"	1/2"	24.8	26.2	6.2	11.0	20.0	0.030
5.	3/4"	3/4"	30.4	32.5	7.7	11.2	22.0	0.050
6.	1"	1"	37.5	39.8	9.3	12.7	26.0	0.080
7.	1 1/4"	1 1/4"	46.0	49.0	10.5	12.8	28.0	0.120
8.	1 1/2"	1 1/2"	53.0	55.7	12.0	16.3	32.4	0.170
9.	2"	2"	65.5	68.4	12.3	17.0	34.2	0.250
10.	2 1/2"	2 1/2"	85.5	90.0	12.5	23.0	39.0	0.630
11.	3"	3"	96.0	100.0	14.0	25.5	41.0	0.720
12.	4"	4"	123.0	127.5	15.5	25.5	41.0	1.180