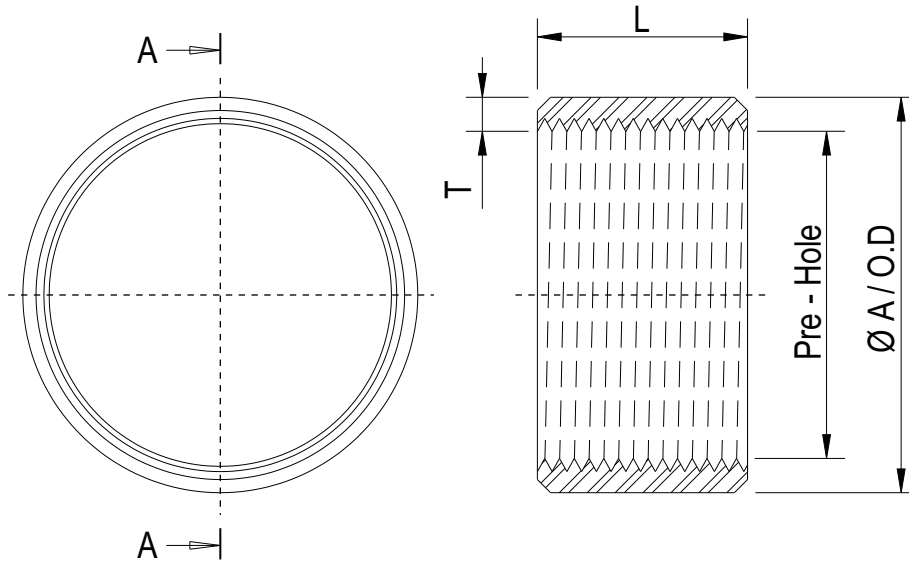
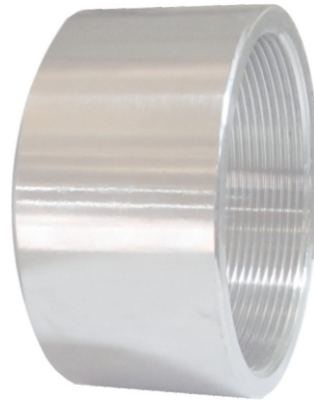


**CLASS
150**



SECTION A - A



HALF COUPLING DIN 2986

Size		ØA / O.D	Pre-Hole	L	T	Weight
Inch	DIN	(mm)	(mm)	(mm)	(mm)	(Kgs)
1/8"	5	14.00	8.70	7.00	6.30	0.01
1/4"	8	18.00	11.80	11.00	6.70	0.01
3/8"	10	21.00	15.20	12.00	6.10	0.02
1/2"	15	26.00	19.00	15.00	7.40	0.03
3/4"	20	31.00	24.50	16.00	7.30	0.04
1"	25	39.00	30.70	19.00	8.80	0.07
1 1/4"	32	48.00	39.50	22.00	9.80	0.10
1 1/2"	40	54.00	45.20	22.00	10.30	0.12
2"	50	66.00	57.00	26.00	12.00	0.18
2 1/2"	65	82.00	72.50	30.00	14.50	0.27
3"	80	95.00	85.20	33.00	14.80	0.36
4"	100	122.00	110.50	39.00	15.50	0.65