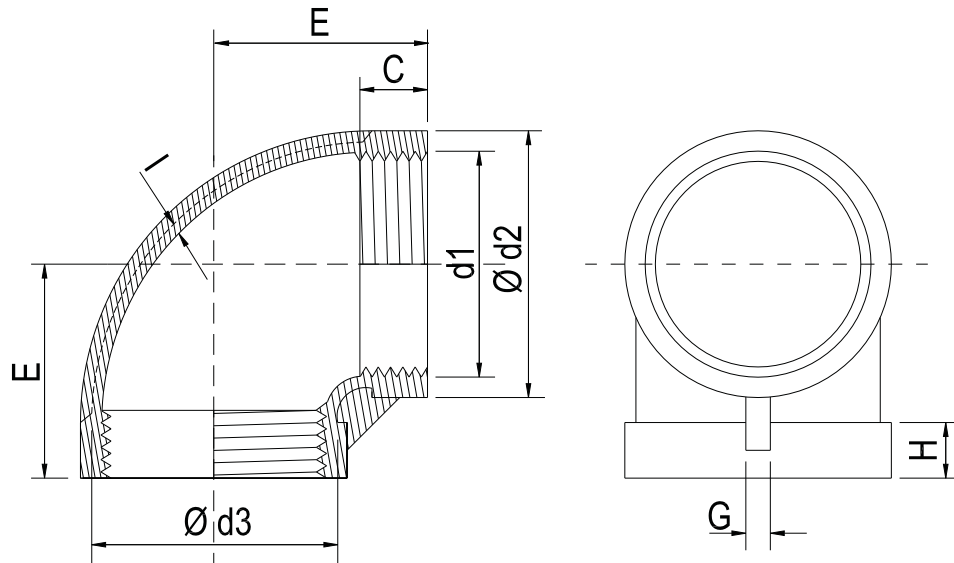


CLASS 150



ELBOW 90° F.F.

No.	Size.	d1		d2		d3		C		E		G		H		I		Weight (Kg/Pc)
		Inch	mm	Inch	mm	Inch	mm	Inch	mm	Inch	mm	Inch	mm	Inch	mm			
1.	1/8"	1/8"	0.55	14.00	0.51	12.80	0.29	7.40	0.67	17.00	0.08	2.10	0.20	5.20	0.07	1.90	0.020	
2.	1/4"	1/4"	0.68	17.30	0.62	15.80	0.39	9.80	0.75	19.00	0.09	2.20	0.21	5.30	0.09	2.30	0.030	
3.	3/8"	3/8"	0.83	21.00	0.75	19.00	0.39	10.00	0.84	21.30	0.09	2.40	0.24	6.00	0.08	2.10	0.040	
4.	1/2"	1/2"	1.04	26.50	0.90	24.70	0.39	10.00	1.04	26.30	0.10	2.50	0.24	6.30	0.07	1.80	0.060	
5.	3/4"	3/4"	1.30	33.00	1.19	30.30	0.40	10.20	1.24	31.50	0.12	3.00	0.30	7.70	0.08	2.10	0.110	
6.	1"	1"	1.64	41.80	1.50	38.10	0.50	12.80	1.37	34.80	0.12	3.00	0.37	9.30	0.08	2.10	0.180	
7.	1 1/4"	1 1/4"	1.97	50.00	1.80	45.70	0.56	14.20	1.65	42.00	0.13	3.40	0.44	11.30	0.08	2.10	0.250	
8.	1 1/2"	1 1/2"	2.27	57.60	2.09	53.00	0.63	16.10	1.81	46.20	0.19	5.00	0.55	14.00	0.09	2.20	0.360	
9.	2"	2"	2.73	69.30	2.60	65.00	0.72	18.20	2.06	52.40	0.19	5.00	0.55	14.00	0.09	2.20	0.500	
10.	2 1/2"	2 1/2"	3.54	90.00	3.37	85.60	0.93	23.50	2.71	68.90	0.25	6.40	0.50	12.80	0.16	4.00	1.210	
11.	3"	3"	3.94	100.00	3.82	97.00	0.94	24.00	2.91	74.00	0.28	7.00	0.53	13.50	0.16	4.00	1.310	
12.	4"	4"	5.00	127.00	4.90	124.5	0.94	25.50	3.53	89.70	0.30	7.50	0.63	16.00	0.20	5.00	2.350	