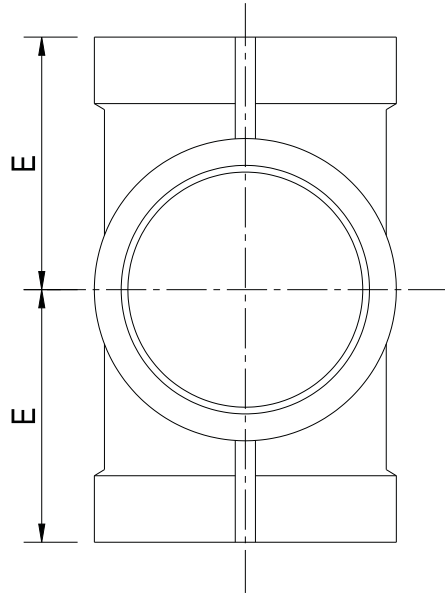
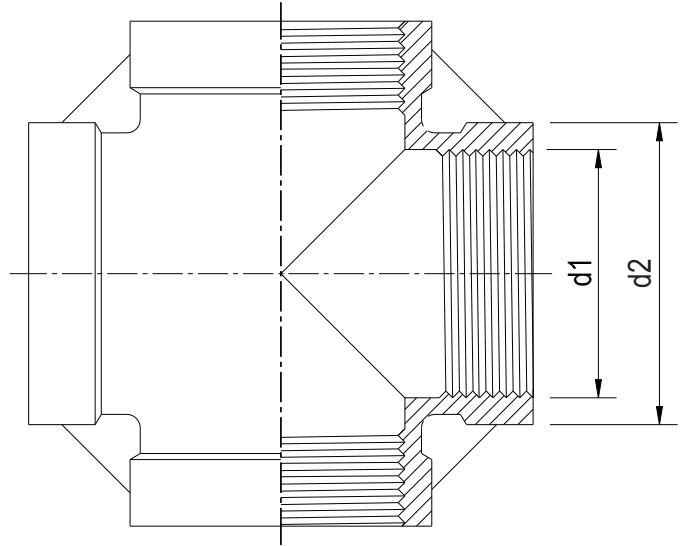


CLASS 150



Top View



Front View



CROSS

No.	Size	d1		d2		E		Weight (Kg / Pc)
		Inch	Inch	(mm)	Inch	(mm)		
1.	1/8"	1/8"	0.56	14.20	0.67	17.0	0.04	
2.	1/4"	1/4"	0.68	17.30	0.75	19.0	0.05	
3.	3/8"	3/8"	0.82	20.85	0.84	21.5	0.06	
4.	1/2"	1/2"	1.06	26.80	1.06	27.0	0.11	
5.	3/4"	3/4"	1.27	32.30	1.23	31.2	0.16	
6.	1"	1"	1.57	39.80	1.43	36.2	0.26	
7.	1 1/4"	1 1/4"	1.93	49.00	1.71	43.5	0.40	
8.	1 1/2"	1 1/2"	2.20	55.80	1.79	45.4	0.54	
9.	2"	2"	2.68	68.00	2.22	56.5	0.86	
10.	2 1/2"	2 1/2"	3.54	90.00	2.67	67.9	1.86	
11.	3"	3"	3.94	100.00	2.95	75.0	2.03	
12.	4"	4"	5.00	127.00	3.58	90.9	3.40	