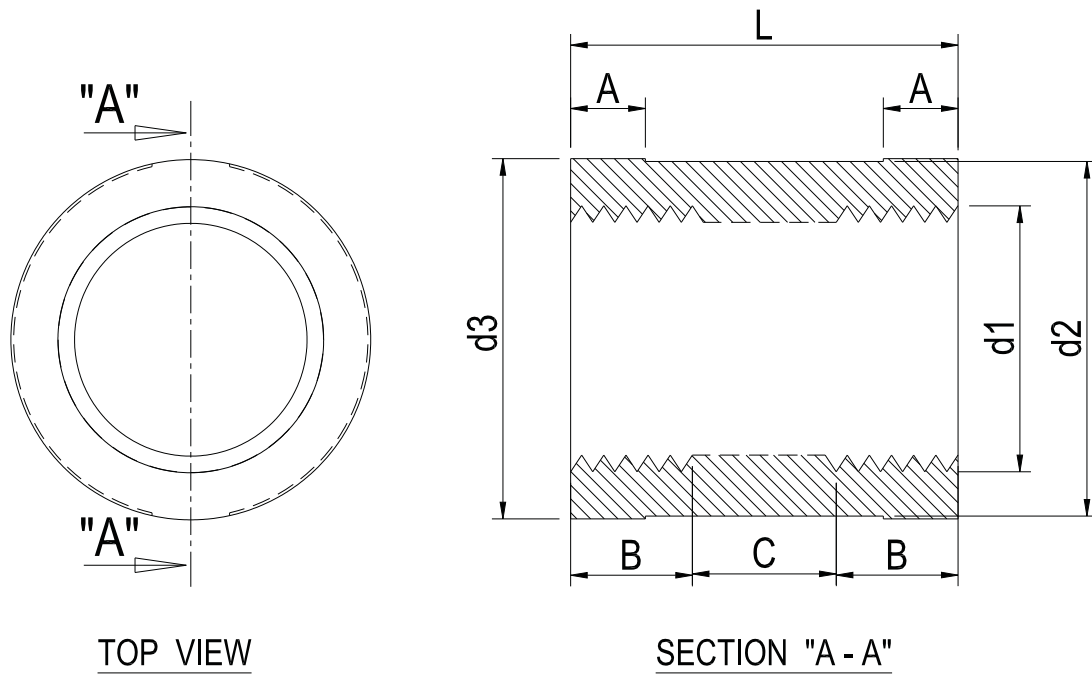


CLASS 150



BANDED COUPLING

No.	Size.	d1		d2		d3		A		B		C		L		WEIGHT (KG / PC)
		Inch	mm	Inch	mm	Inch	mm	Inch	mm	Inch	mm	Inch	mm	Inch	mm	
1.	1/2"	1/2"	12.70	0.97	24.70	1.04	26.40	1.04	6.30	0.47	12.00	0.43	11.00	1.38	35.00	0.05
2.	3/4"	3/4"	19.05	1.19	30.30	1.27	32.30	1.27	7.80	0.49	12.50	0.51	13.00	1.50	38.00	0.07
3.	1"	1"	25.40	1.48	37.50	1.57	39.80	1.57	9.20	0.55	14.00	0.54	13.60	1.64	41.60	0.12
4.	1 1/4"	1 1/4"	31.75	1.81	46.00	1.93	49.00	1.93	10.50	0.59	15.00	0.80	20.30	1.98	50.30	0.17
5.	1 1/2"	1 1/2"	38.10	2.09	53.00	2.20	55.80	2.20	12.00	0.67	17.00	0.76	19.40	2.10	53.40	0.25
6.	2"	2"	50.80	2.58	65.50	2.68	68.00	2.68	12.50	0.75	19.00	1.01	25.70	2.51	63.70	0.36